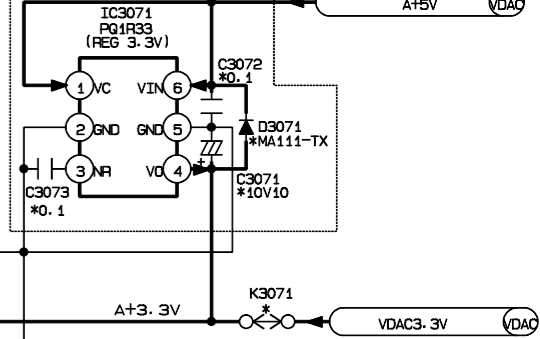


AVDEC/module  
(3/8)

VIDEO-DAC	R3032	K3071	AUDIO	C3046, R3011 C3047, R3012
AVDEC-IC INCLUDE	7.5K	X	AUDIO 5.1ch	O
VIDEO-ENCODER	680K	O	AUDIO 2ch	X

← VIDEO SIGNAL      ← AUDIO SIGNAL

AVDEC-IC INCLUDE VIDEO MODEL DAC



A+5V (VDAC)      A+3.3V      VDAC3.3V (VDAC)

AGND (VDAC)      AVDEC-Y (VDAC)      AVDEC-C (VDAC)      PHCOMPO (CLK)      D+5V (VDAC)

EXTCK (CLK)      AOUT0 (CLK)      AOUT1 (CLK)      AOUT2 (CLK)      SRCK (CLK)      LRCK (CLK)      CKIORST (CPU)

IC4241 TC7ST04FUTL      LB4241 VLP0323A601T      TC4288      R4241 150      C4242 33p

AUDIODIGITAL (CLK)

X-HSYNC (VDAC)      X-VSYNC (VDAC)      VCLK (VDAC)      VD7 (VDAC)      VD6 (VDAC)      VD5 (VDAC)      VD4 (VDAC)      VD3 (VDAC)      VD2 (VDAC)      VD1 (VDAC)      VDO (VDAC)

CPUDT[15] (CPU)      CPUDT[14] (CPU)      CPUDT[13] (CPU)      CPUDT[12] (CPU)      CPUDT[11] (CPU)      CPUDT[10] (CPU)      CPUDT[9] (CPU)      CPUDT[8] (CPU)      CPUDT[7] (CPU)      CPUDT[6] (CPU)      CPUDT[5] (CPU)      CPUDT[4] (CPU)      CPUDT[3] (CPU)      CPUDT[2] (CPU)      CPUDT[1] (CPU)      CPUADR[5] (CPU)

NOTE: DO NOT USE THE PART NUMBER SHOWN ON THIS DRAWING FOR ORDERING. THE CORRECT PART NUMBER IS SHOWN IN THE PARTS LIST, AND MAY BE SLIGHTLY DIFFERENT OR AMENDED SINCE THIS DRAWING WAS PREPARED.

G  
F  
E  
D  
C  
B  
A

1      2      3      4      5      6      7      8      9      10